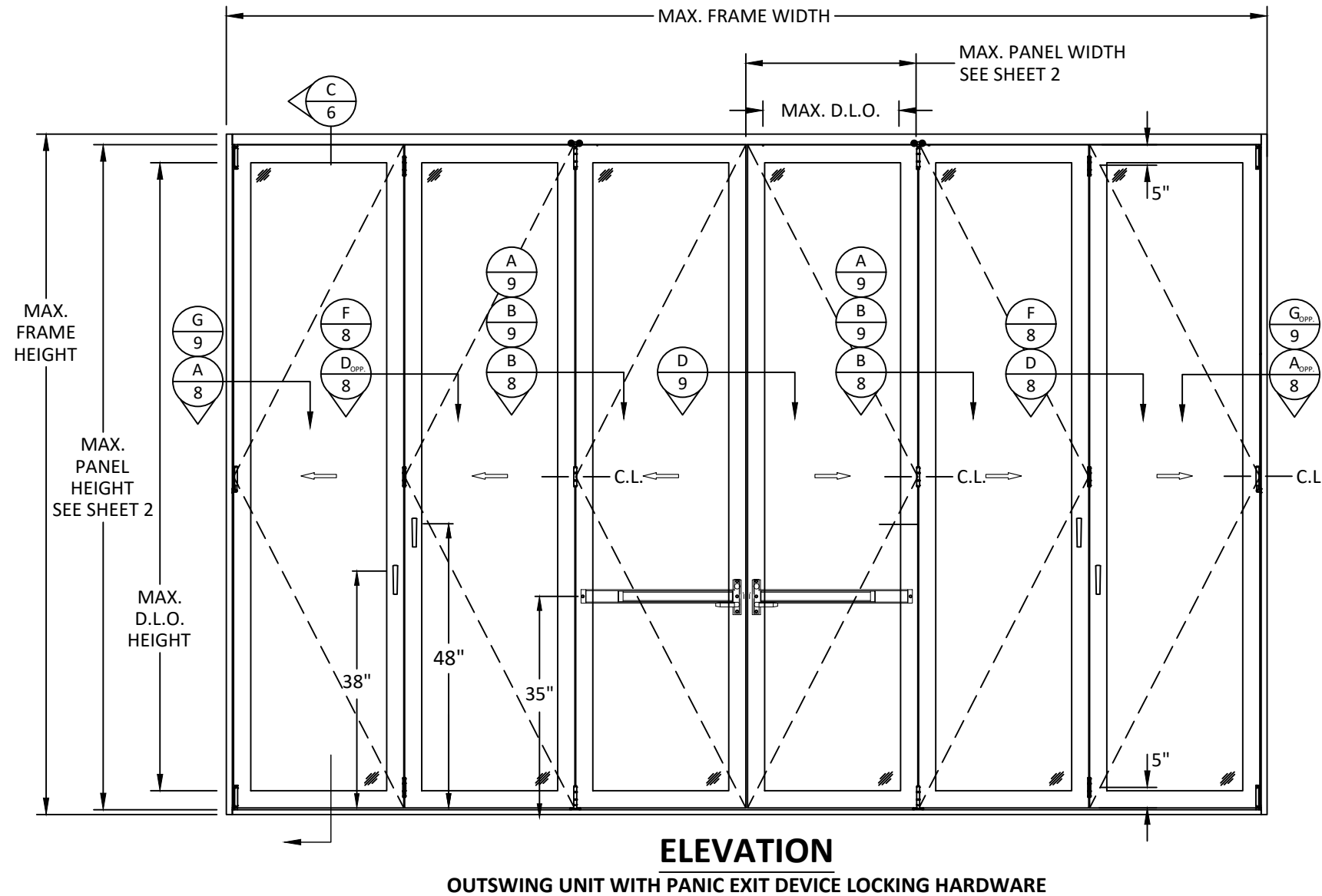


9/29/2023 1:31 PM
s:\projects\euro-wall systems\fb-23-0818 - fbc submittal - fbc submittal - fbc submittal - fbc submittal - ew s030.dwg



ELEVATION
OUTSWING UNIT WITH PANIC EXIT DEVICE LOCKING HARDWARE

NOTE:
PANELS SHOWN ARE BASED ON TESTING, OTHER APPROVED CONFIGURATIONS ARE AS FOLLOWS:

- 1 PANEL - 1L, 1R
- 2 PANEL - 2L, 2R, 1L 1R
- 3 PANEL - 3L, 3R, 2L 1R, 1L 2R
- 4 PANEL - 4L, 4R, 3L 1R, 1L 3R, 2L 2R
- 5 PANEL - 5L, 5R, 4L 1R, 1L 4R, 3L 2R, 2L 3R
- 6 PANEL - 6L, 6R, 5L 1R, 1L 5R, 4L 2R, 2L 4R, 3L 3R
- 7 PANEL - 7L, 7R, 6L 1R, 1L 6R, 5L 2R, 2L 5R, 4L 3R, 3L 4R
- 8 PANEL - 8L, 8R, 7L 1R, 1L 7R, 6L 2R, 2L 6R, 5L 3R, 3L 5R, 4L 4R
- 9 PANEL - 9L, 9R, 8L 1R, 1L 8R, 7L 2R, 2L 7R, 6L 3R, 3L 6R, 5L 4R, 4L 5R

OVERALL FRAME AREA SHALL NOT EXCEED 415 FT² (1.5 X TESTED FRAME AREA).

NOTE :
THE WALL CENTER PIVOT AND CENTER HINGE IS NOT REQUIRED WHEN THE DOOR HEIGHT IS LESS THAN 72".

NOTE :
PANIC EXIT DEVICE ONLY QUALIFIED FOR USE IN THE OUTSWING CONFIGURATION WITH ADA SILL.

NOTE :
REFER TO SHEET 2 FOR PANEL SIZES AND DESIGN PRESSURES FOR DOORS WITH PANIC LOCKING HARDWARE. DOORS WITH PANIC HARDWARE ARE NOT RATED FOR WATER INFILTRATION.

D.L.O. HEIGHT = PANEL HEIGHT - 7.0375"

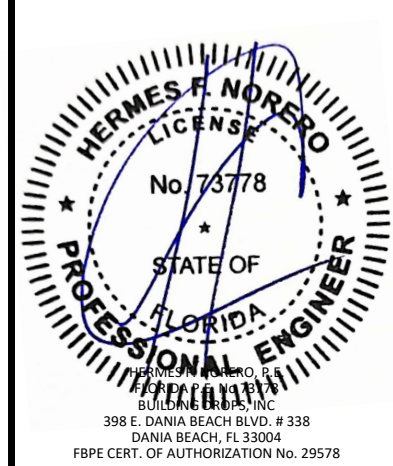
D.L.O. WIDTH = PANEL WIDTH - 7.3125"

EURO-WALL, LLC
24100 TISEO BOULEVARD
POR CHARLOTTE, FL 33980
PH: (888) 989-3876

TITLE: EURO-C3 BIFOLD ALUMINUM DOOR SYSTEM (NON-HVHZ)(NON-IMPACT)
PANIC HARDWARE ELEVATION
PREPARED BY: BUILDING DROPS, INC.
398 E. DANIA BEACH BLVD., STE. 338
DANIA BEACH, FL 33004
PH: (954) 399-8478
FAX: (954) 744-4738
WEB: www.buildingdrops.com

REMARKS	BY	DATE
PANIC HARDWARE UPD	SH	9/23

THE INSTALLATION DETAILS DESCRIBED HEREIN ARE GENERIC AND MAY NOT REFLECT ACTUAL CONDITIONS FOR A SPECIFIC SITE. IF SITE CONDITIONS CAUSE INSTALLATION TO DEVIATE FROM THE REQUIREMENTS DETAILED HEREIN, A LICENSED ENGINEER OR ARCHITECT SHALL PREPARE SITE SPECIFIC DOCUMENTS FOR USE WITH THIS DOCUMENT.



FL #:	FL17838
DATE:	04.25.23
DWG. BY:	SH
CHK. BY:	HN
SCALE:	NTS
DWG. #:	EWS030
SHEET	4

s:\projects\euro-wall systems\fbc-23-0818 - fbc submittal - fbc submittal - fbc submittal - ew holdings of florida llc name change\dwgs\117838\ew030.dwg
 9/29/2023 1:31 PM

EURO-WALL, LLC
 24100 TISEO BOULEVARD
 POR CHARLOTTE, FL 33980
 PH: (888) 989-3876

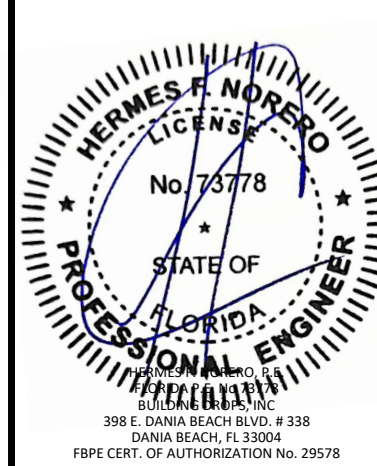
TITLE: EURO-C3 BIFOLD
 ALUMINUM DOOR SYSTEM
 (NON-HVHZ)/(NON-IMPACT)
 ANCHOR LAYOUT

PREPARED BY:
BUILDING DROPS, INC.
 398 E. DANIA BEACH BLVD., STE. 338
 DANIA BEACH, FL 33004
 PH: (954) 399-8478
 FAX: (954) 744-4738
 WEB: www.buildingdrops.com



REMARKS	BY	DATE
PANIC HARDWARE UPD	SH	9/23

THE INSTALLATION DETAILS DESCRIBED HEREIN ARE GENERIC AND MAY NOT REFLECT ACTUAL CONDITIONS FOR A SPECIFIC SITE. IF SITE CONDITIONS CAUSE INSTALLATION TO DEVIATE FROM THE REQUIREMENTS DETAILED HEREIN, A LICENSED ENGINEER OR ARCHITECT SHALL PREPARE SITE SPECIFIC DOCUMENTS FOR USE WITH THIS DOCUMENT.



FL #: **FL17838**

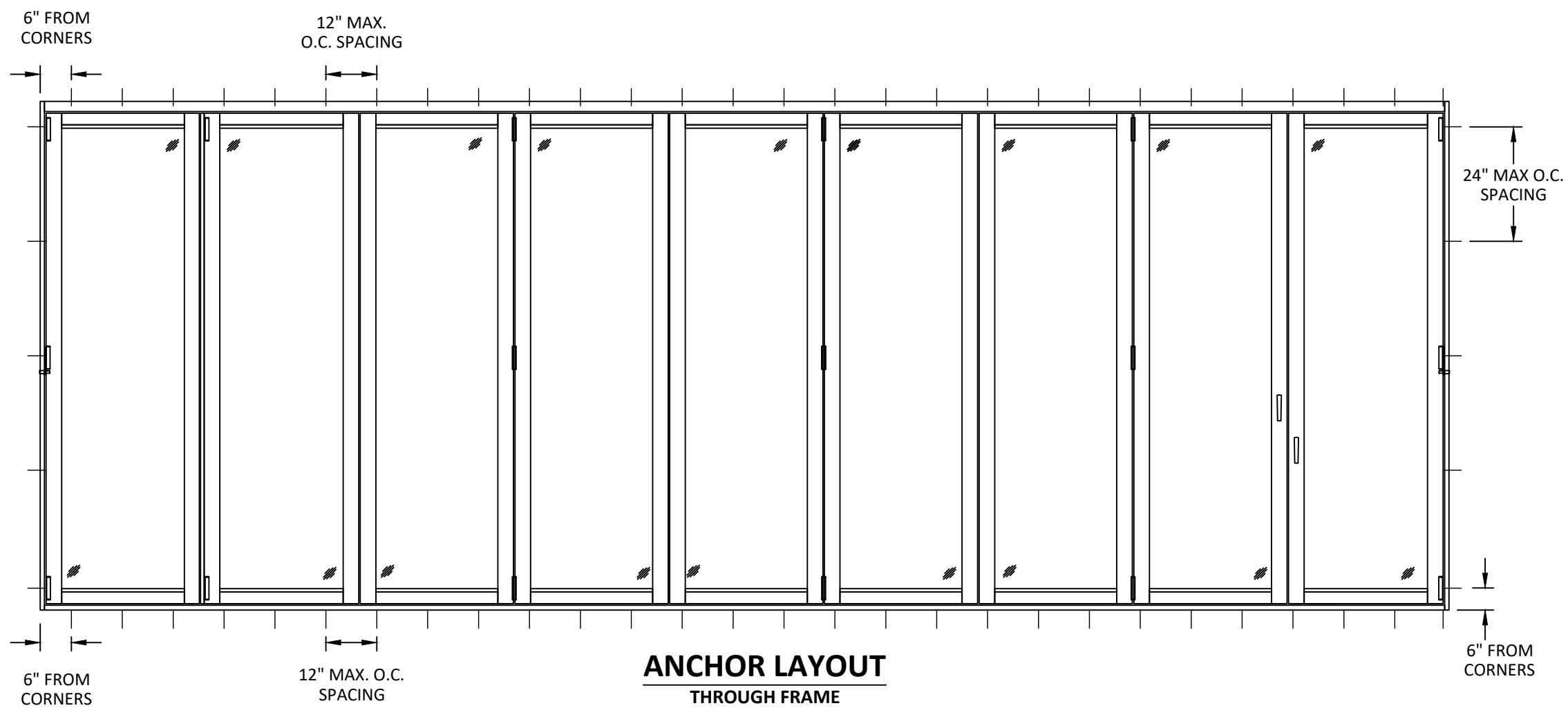
DATE: **04.25.23**

DWG. BY: **SH** CHK. BY: **HN**

SCALE: **NTS**

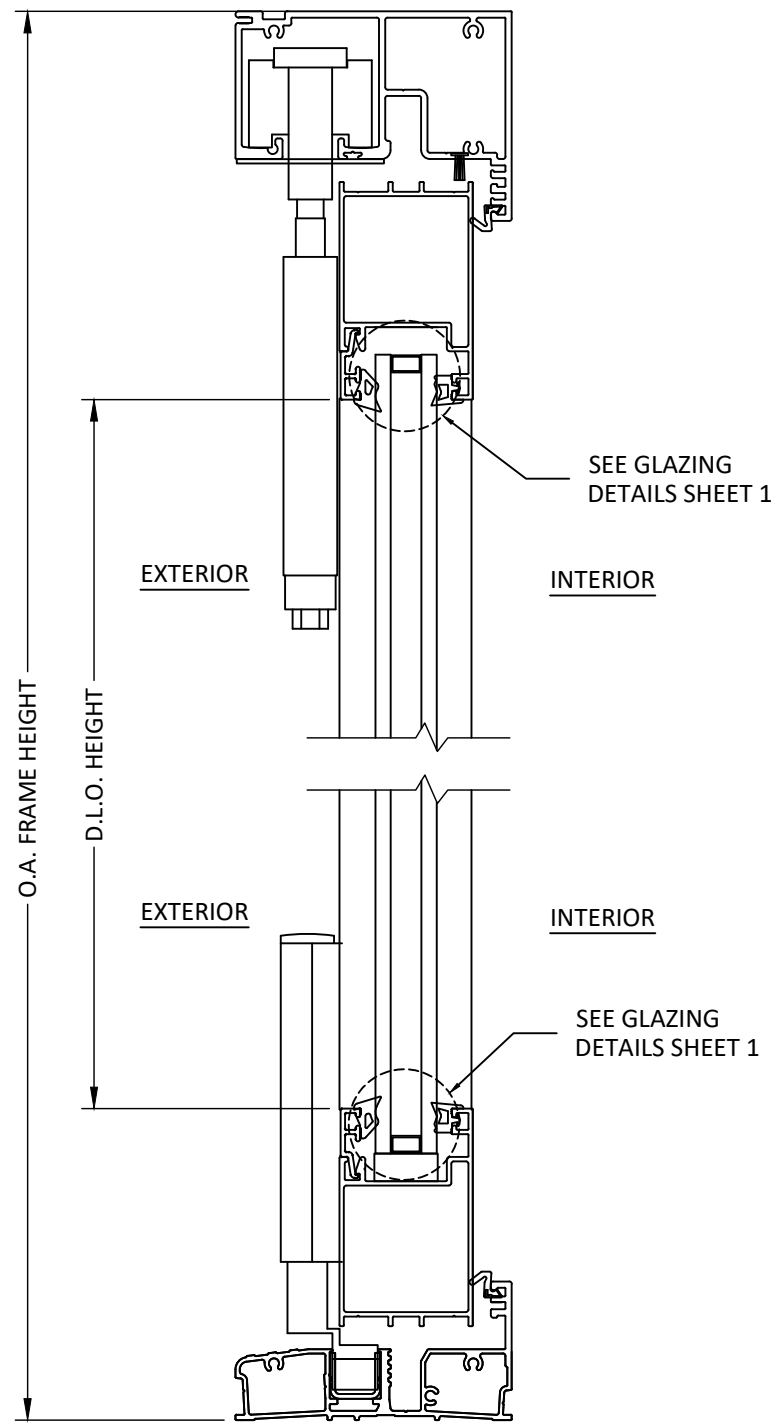
DWG. #: **EWS030**

SHEET
5
 OF 10

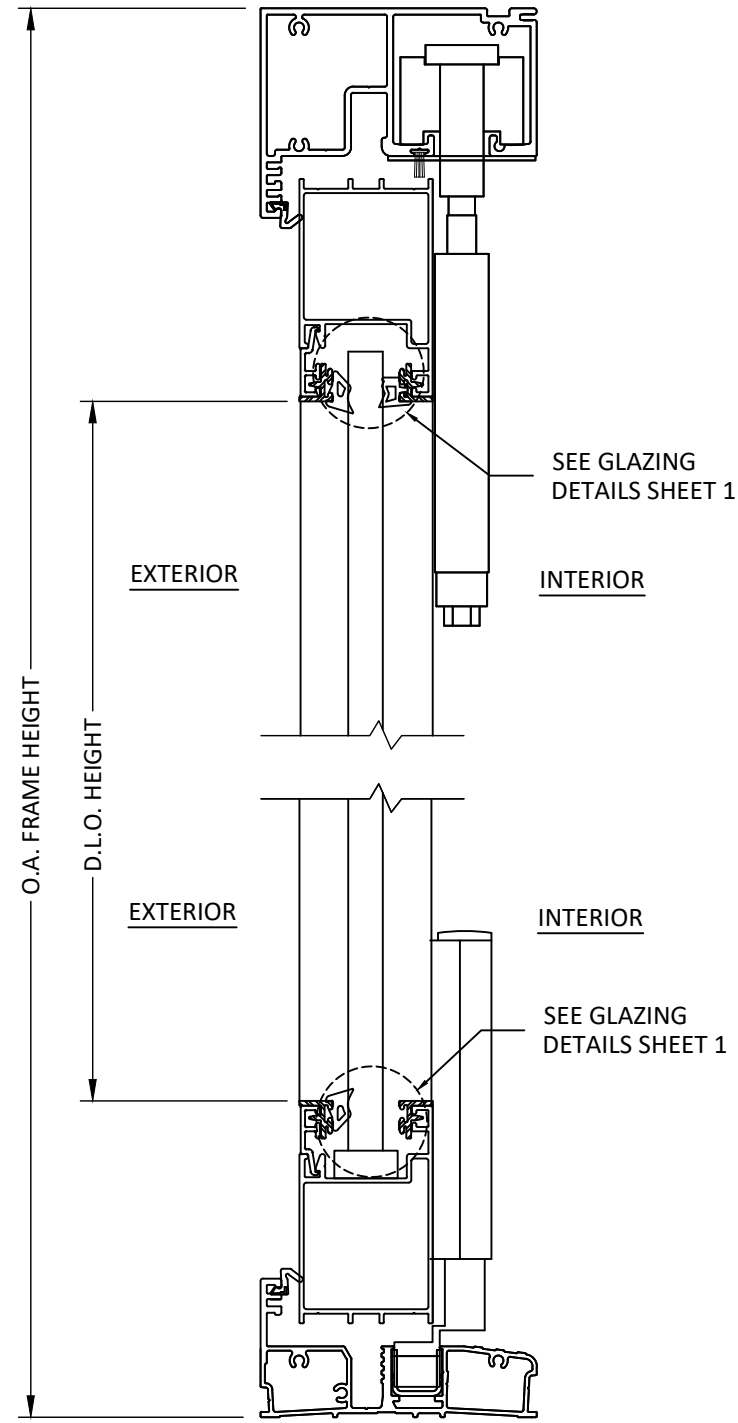


NOTE :
 FOR MORE ANCHOR INFORMATION
 (INSTALLATION TYPE, SPACING,
 QUANTITY, ANCHOR TYPE, QUALIFIED
 SUBSTRATES) SEE SHEET 10

9/29/2023 1:31 PM
 s:\projects\eurowall systems\fb-23-0818 - fbc submittal - fbc submittal - ew change.dwg\117838\ews030.dwg

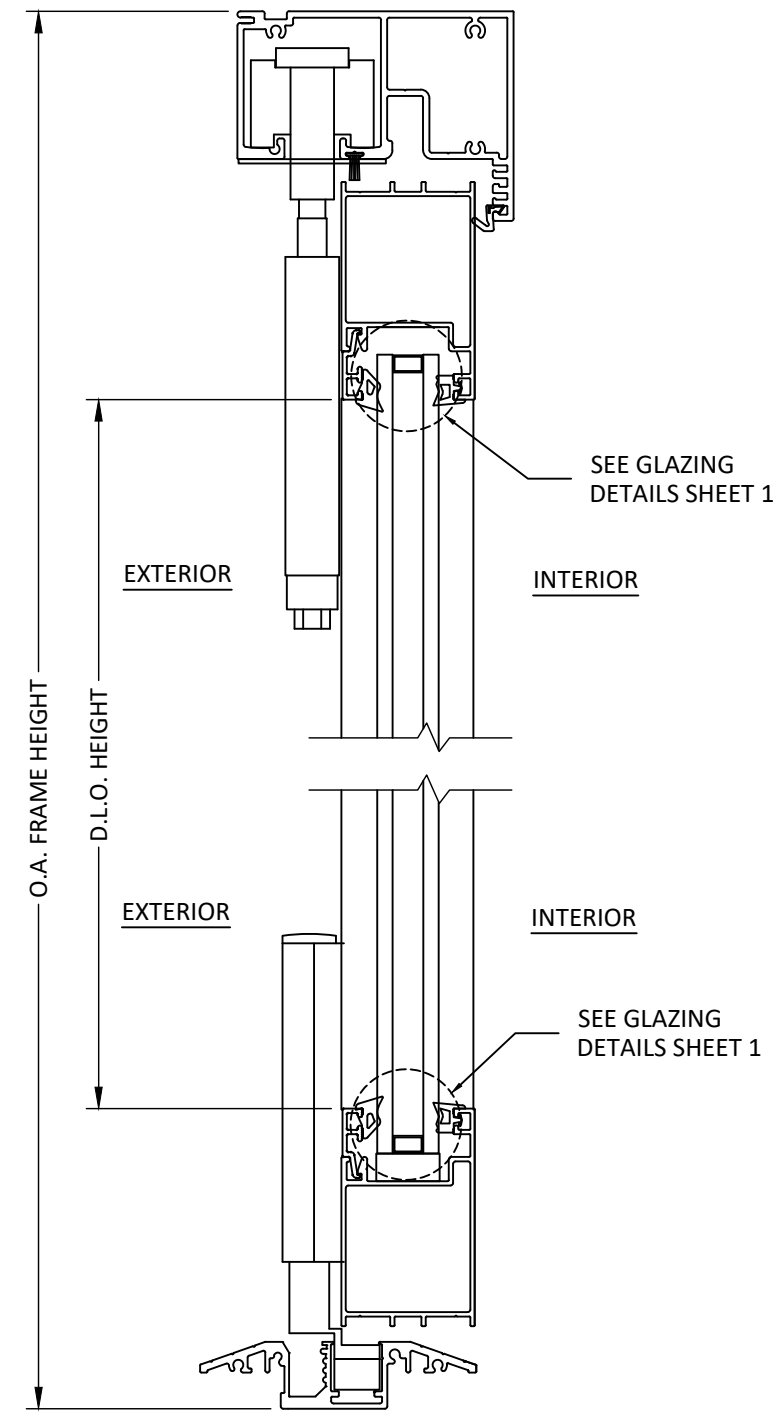


A
6 **VERTICAL SECTION**
HEAD AND STANDARD SILL OUT-SWING DOOR



B
6 **VERTICAL SECTION**
HEAD AND STANDARD SILL DETAIL IN-SWING DOOR

NOTE:
SILL NOT APPROVED FOR
WATER PENETRATION.



C
6 **VERTICAL SECTION**
HEAD AND ADA SILL DETAIL OUT-SWING DOOR

NOTE:
SILL NOT APPROVED FOR
WATER PENETRATION.

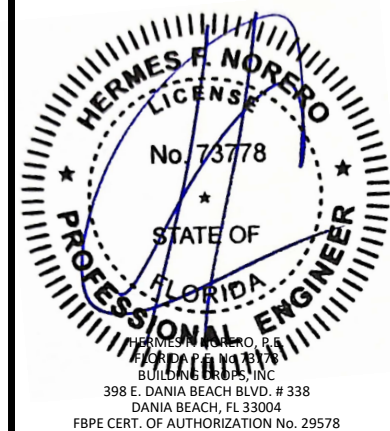
TITLE: EURO-C3 BIFOLD
ALUMINUM DOOR SYSTEM
(NON-HVHZ)/(NON-IMPACT)
VERTICAL SECTIONS

PREPARED BY:
BUILDING DROPS, INC.
398 E. DANIA BEACH BLVD., STE. 338
DANIA BEACH, FL 33004
PH: (954) 399-8478
FAX: (954) 474-4738
WEB: www.buildingdrops.com



REMARKS	BY	DATE
PANIC HARDWARE UPD	SH	9/23

THE INSTALLATION DETAILS DESCRIBED HEREIN ARE GENERIC AND MAY NOT REFLECT ACTUAL CONDITIONS FOR A SPECIFIC SITE. IF SITE CONDITIONS CAUSE INSTALLATION TO DEVIATE FROM THE REQUIREMENTS DETAILED HEREIN, A LICENSED ENGINEER OR ARCHITECT SHALL PREPARE SITE SPECIFIC DOCUMENTS FOR USE WITH THIS DOCUMENT.



FL #:
FL17838

DATE: **04.25.23**

DWG. BY: **SH** CHK. BY: **HN**

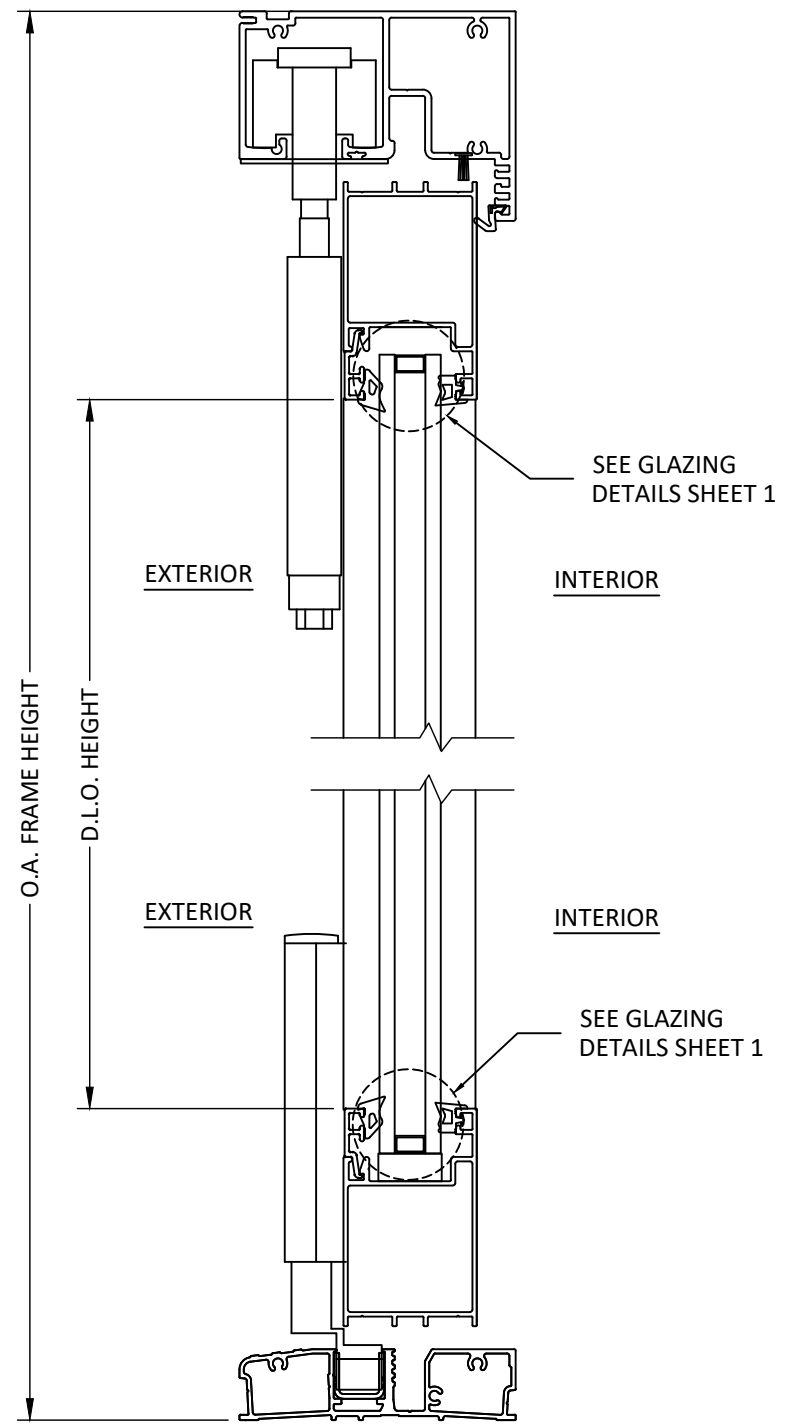
SCALE: **NTS**

DWG. #: **EWS030**

SHEET

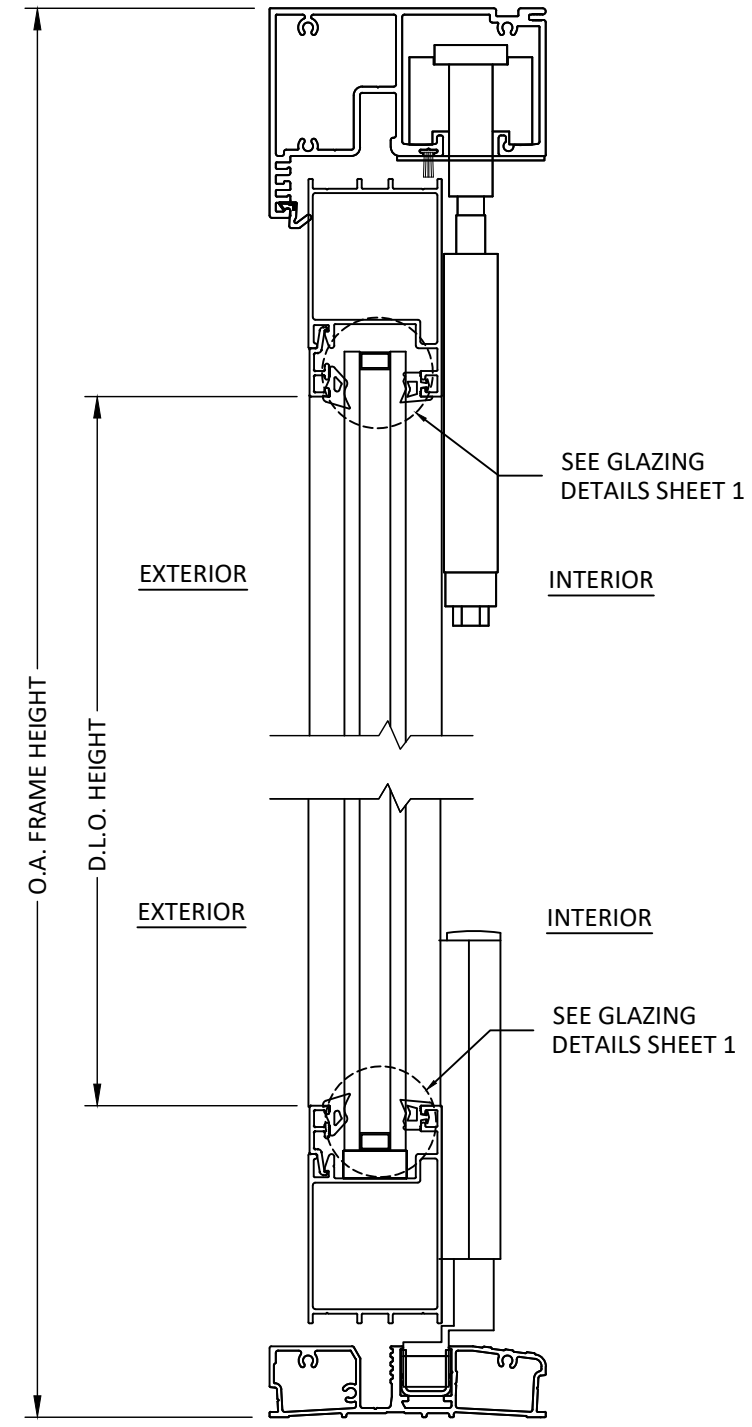
6

9/29/2023 1:31 PM
s:\projects\euro-wall systems\fb-23-0818 - fbc submittal - fbc submittal - ew systems change\dwgs\117838\ews030.dwg



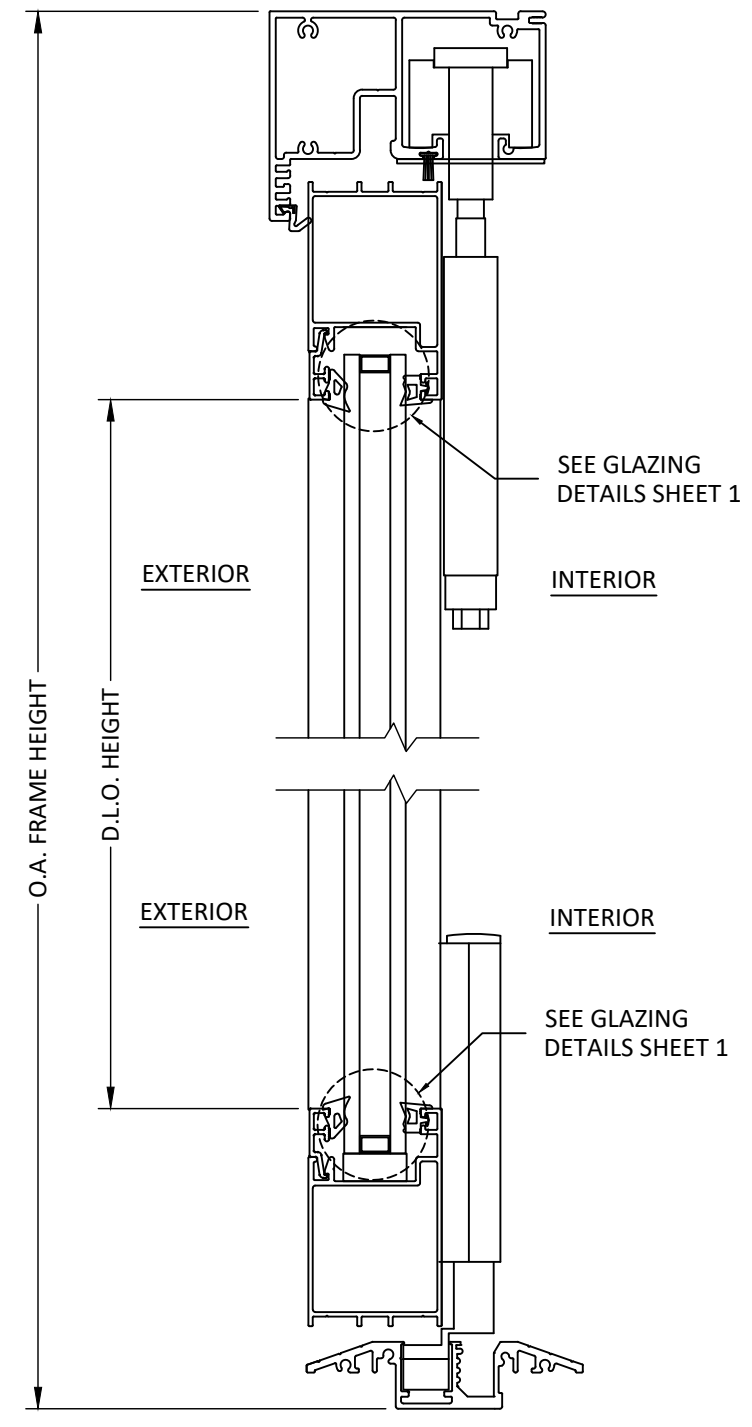
A
7 **VERTICAL SECTION**
HEAD AND MODIFIED SILL OUT-SWING DOOR

NOTE:
SILL NOT APPROVED FOR
WATER PENETRATION.



B
7 **VERTICAL SECTION**
HEAD AND MODIFIED SILL DETAIL IN-SWING DOOR

NOTE:
SILL NOT APPROVED FOR
WATER PENETRATION.



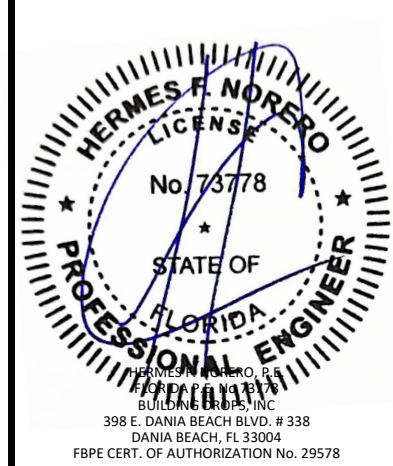
C
7 **VERTICAL SECTION**
HEAD AND ADA SILL DETAIL IN-SWING DOOR

NOTE:
SILL NOT APPROVED FOR
WATER PENETRATION.

TITLE: EURO-C3 BIFOLD ALUMINUM DOOR SYSTEM (NON-HVHZ)(NON-IMPACT) VERTICAL SECTIONS
PREPARED BY: BUILDING DROPS, INC.
398 E. DANIA BEACH BLVD., STE. 338
DANIA BEACH, FL 33004
PH: (954) 399-8478
FAX: (954) 744-4738
WEB: www.buildingdrops.com

REMARKS	BY	DATE
PANIC HARDWARE UPD	SH	9/23

THE INSTALLATION DETAILS DESCRIBED HEREIN ARE GENERIC AND MAY NOT REFLECT ACTUAL CONDITIONS FOR A SPECIFIC SITE. IF SITE CONDITIONS CAUSE INSTALLATION TO DEVIATE FROM THE REQUIREMENTS DETAILED HEREIN, A LICENSED ENGINEER OR ARCHITECT SHALL PREPARE SITE SPECIFIC DOCUMENTS FOR USE WITH THIS DOCUMENT.



FL #: **FL17838**

DATE: **04.25.23**

DWG. BY: **SH** CHK. BY: **HN**

SCALE: **NTS**

DWG. #: **EWS030**

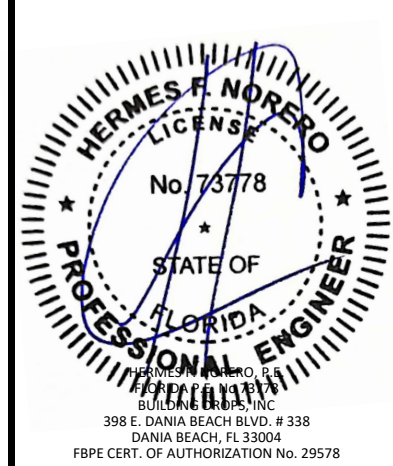
SHEET
7
OF 10

9/29/2023 1:31 PM
 s:\projects\euro-wall systems\fb-23-0818 - fbc submittal - fbc submittal - fbc submittal - ew holdings of florida llc name change\dwg\117838\ews030.dwg

TITLE: EURO-C3 BIFOLD ALUMINUM DOOR SYSTEM (NON-HVHZ)(NON-IMPACT)
 HORIZONTAL SECTIONS
 PREPARED BY: BUILDING DROPS, INC.
 398 E. DANIA BEACH BLVD., STE. 338
 DANIA BEACH, FL 33004
 PH: (954) 399-8478
 FAX: (954) 744-4738
 WEB: www.buildingdrops.com

REMARKS	BY	DATE
PANIC HARDWARE UPD	SH	9/23

THE INSTALLATION DETAILS DESCRIBED HEREIN ARE GENERIC AND MAY NOT REFLECT ACTUAL CONDITIONS FOR A SPECIFIC SITE. IF SITE CONDITIONS CAUSE INSTALLATION TO DEVIATE FROM THE REQUIREMENTS DETAILED HEREIN, A LICENSED ENGINEER OR ARCHITECT SHALL PREPARE SITE SPECIFIC DOCUMENTS FOR USE WITH THIS DOCUMENT.



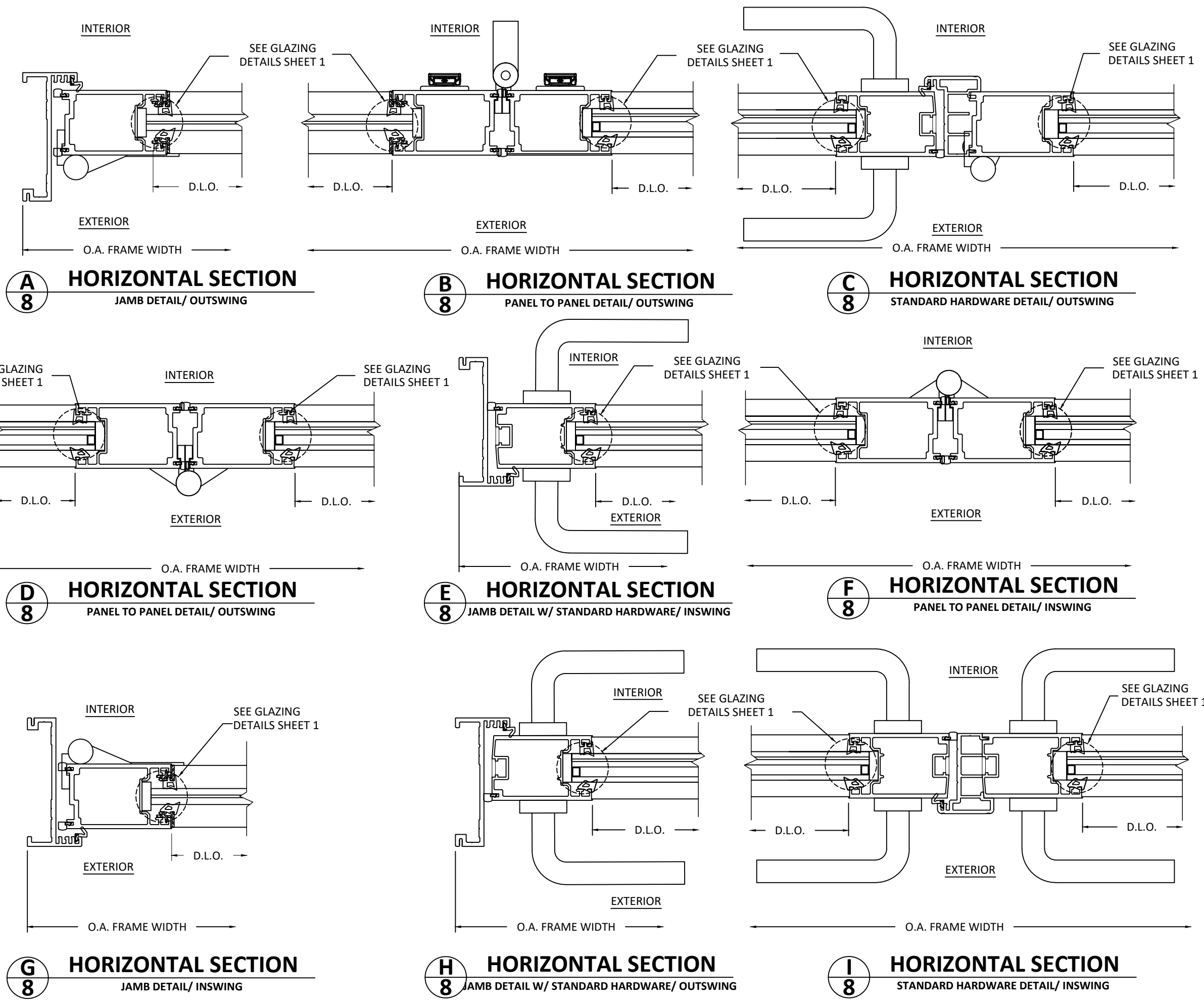
FL #: **FL17838**

DATE: **04.25.23**

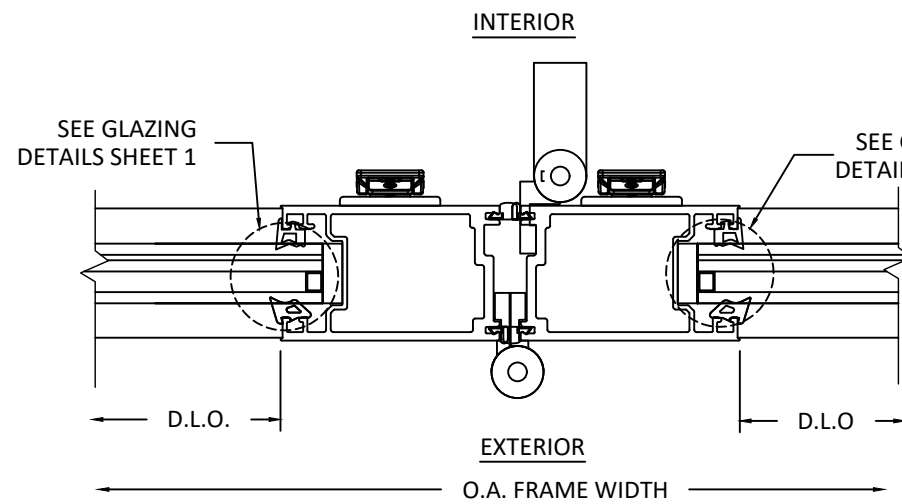
DWG. BY: SH	CHK. BY: HN
--------------------	--------------------

SCALE: **NTS**

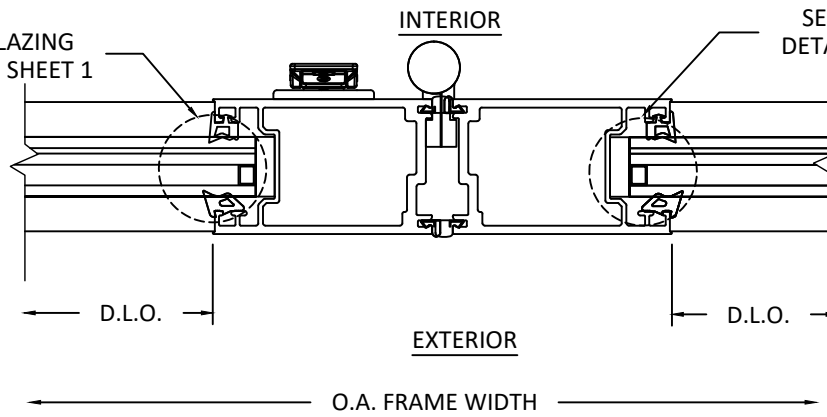
DWG. #: **EWS030**



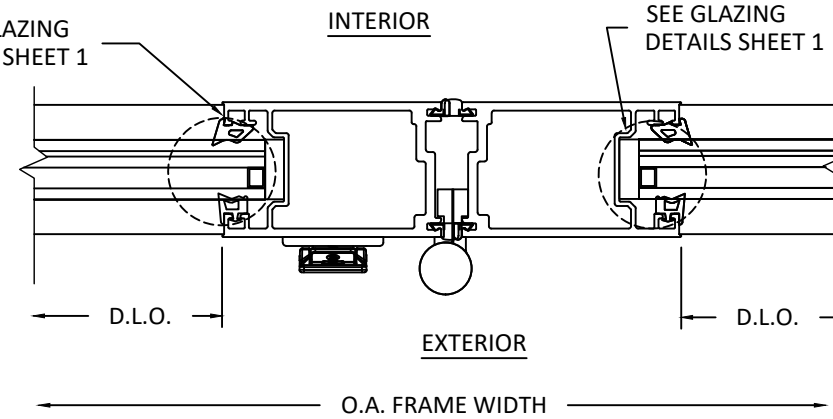
9/29/2023 1:31 PM
 s:\projects\euro-wall systems\fb-23-0818 - fbc submittal - fbc submittal - fbc submittal - ew030.dwg



A
9
HORIZONTAL SECTION
PANEL TO PANEL DETAIL/ IN-SWING

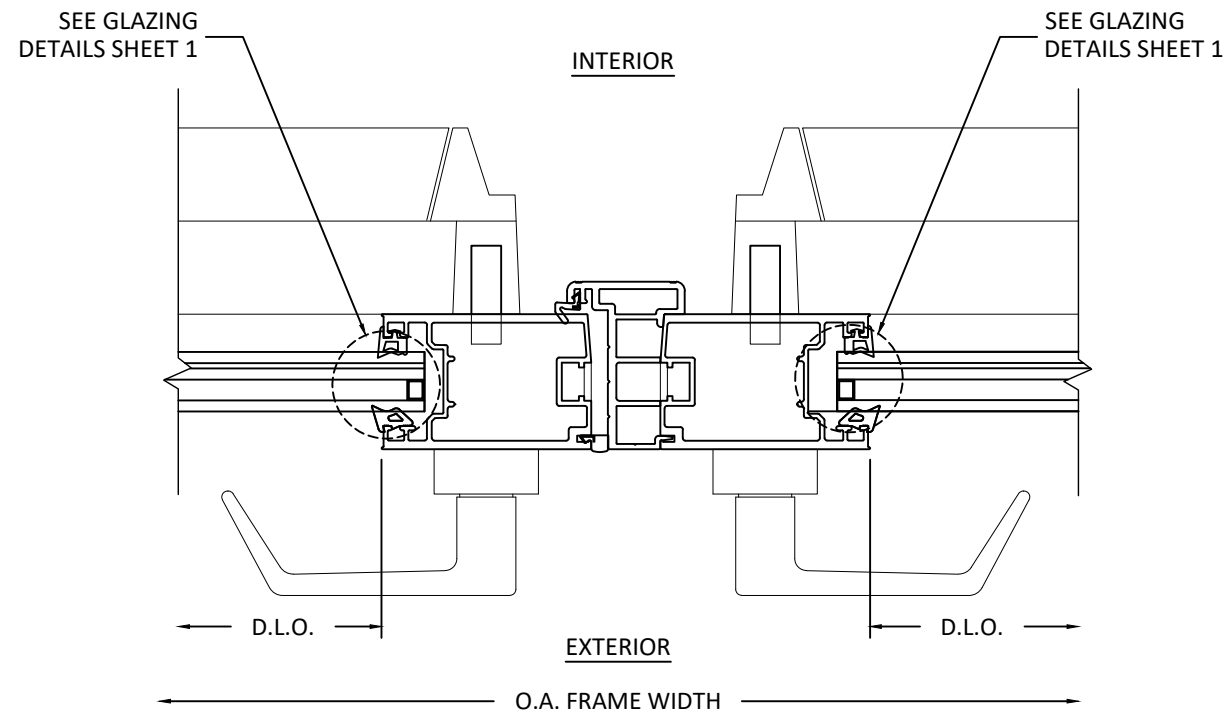


B
9
HORIZONTAL SECTION
PANEL TO PANEL DETAIL/ OUT-SWING

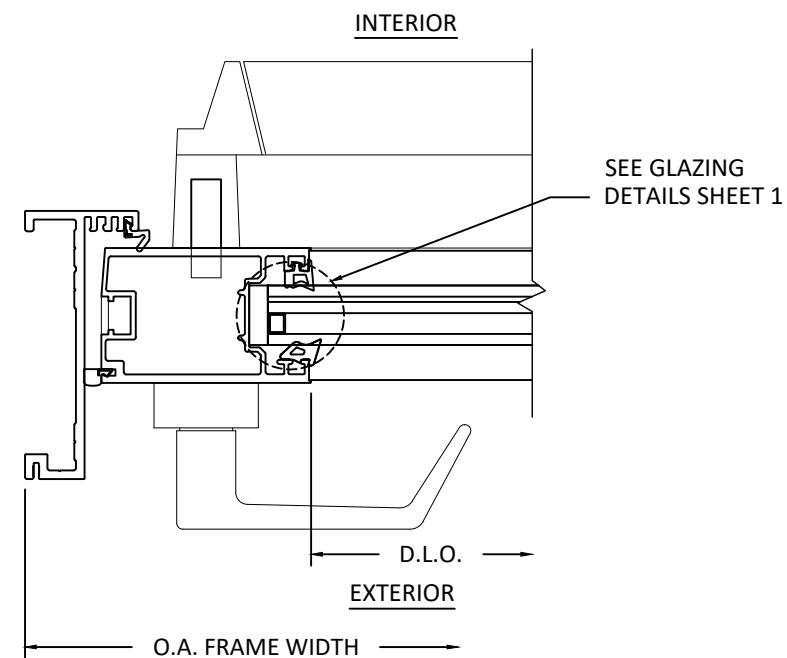


C
9
HORIZONTAL SECTION
PANEL TO PANEL DETAIL/ IN-SWING

NOTE: DETAIL B/9 & C/9 ARE APPLICABLE FOR CONFIGURATIONS LISTED ON SHEETS 3 & 4 WHEN PANELS DO NOT EXCEED 30 FT²



D
9
HORIZONTAL SECTION
PANIC HARDWARE DETAIL/ OUT-SWING



E
9
HORIZONTAL SECTION
JAMB DETAIL W/ PANIC HARDWARE/ OUTSWING

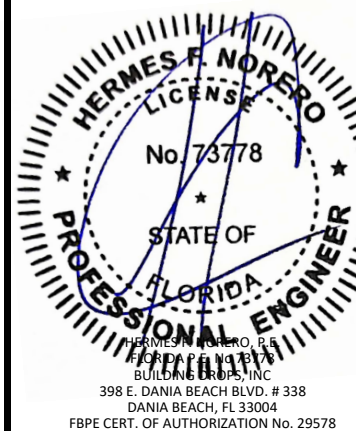
TITLE: EURO-C3 BIFOLD
ALUMINUM DOOR SYSTEM
(NON-HVHZ)/(NON-IMPACT)

HORIZONTAL SECTIONS

PREPARED BY:
BUILDING DROPS, INC.
398 E. DANIA BEACH BLVD., STE. 338
DANIA BEACH, FL 33004
PH: (954) 399-8478
FAX: (954) 744-4738
WEB: www.buildingdrops.com

REMARKS	BY	DATE
PANIC HARDWARE UPD	SH	9/23

THE INSTALLATION DETAILS DESCRIBED HEREIN ARE GENERIC AND MAY NOT REFLECT ACTUAL CONDITIONS FOR A SPECIFIC SITE. IF SITE CONDITIONS CAUSE INSTALLATION TO DEVIATE FROM THE REQUIREMENTS DETAILED HEREIN, A LICENSED ENGINEER OR ARCHITECT SHALL PREPARE SITE SPECIFIC DOCUMENTS FOR USE WITH THIS DOCUMENT.



FL #:
FL17838

DATE: **04.25.23**

DWG. BY: **SH** CHK. BY: **HN**

SCALE: **NTS**

DWG. #: **EWS030**

SHEET

9

